



Product Name	GAOTek POE Switch
Product SKU	GAOTek-ERS-134
Product URL	https://gaotek.com/product/gaotek-poe-switch/

Based in New York City & Toronto, GAO Tek Inc. is ranked as one of the top 10 global B2B technology suppliers. GAO ships overnight within the U.S. & Canada & provides top-notch support thanks to its 4 decades of experiences.



Table Of Contents

1. Important Safeguards & Warning	3
1.1 Attention:.....	3
1.2 Note:.....	3
1.3 Warning:	3
2. Product Overview	4
2.1 Features:.....	4
2.1.1 Introduction:	4
2.1.2 Typical Application:.....	4
2.1.3 Switch Installation	5



GAOTek POE Switch

1. Important Safeguards & Warning

1.1 Attention:

Please read the following safeguards and warnings carefully before using the product in order to avoid damages and losses

1.2 Note:

Do not expose the device to soot, high humidity or dust. Doing so may cause fire or electric shock.

Do not install the device in direct sunlight as it may cause overheating and failure.

Installation of the units should be via the compatible rack mount or securely on a flat surface. Do not place the device on carpet to or around the unit, doing so may cause overheating. failure or fire.

Do not place stack or place objects on the unit This unit contains user-serviceable parts, Servicing should only be performed by approved technicians.

1.3 Warning:

Do not use a power supply other than the provided manufactured power supply. Failure to do so may cause unit failure and or damage.

Special Announcements:

This manual is reference only

All the designs and software here are subject to change without prior written notice.



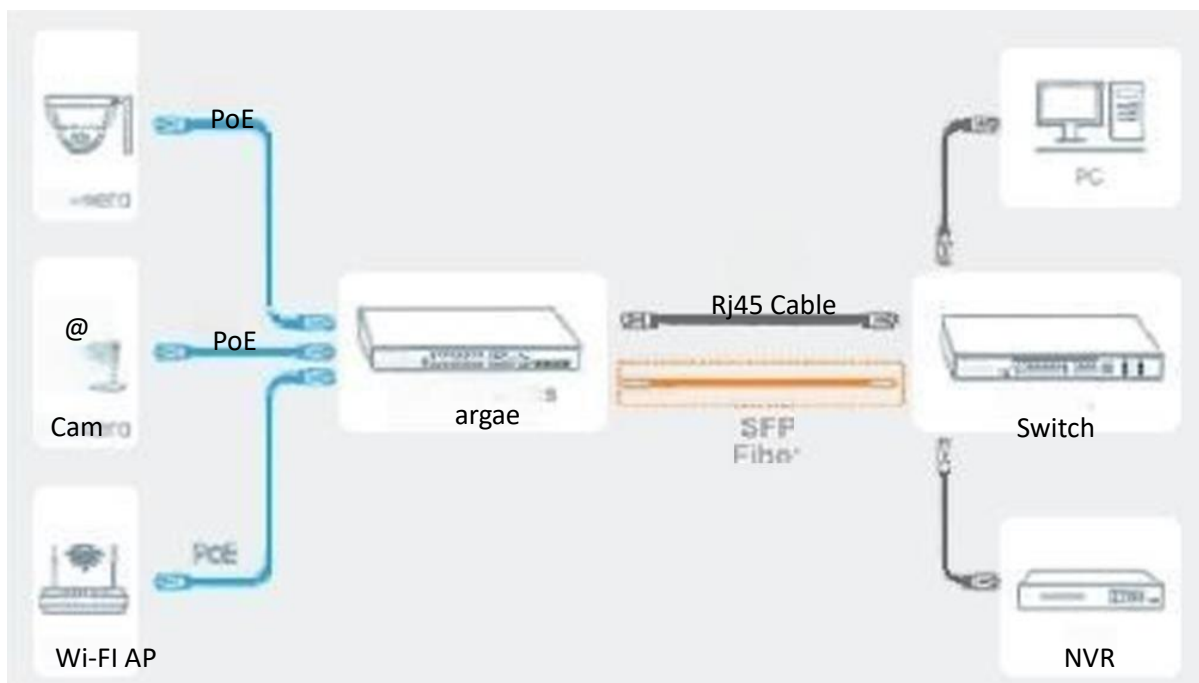
2. Product Overview

2.1 Features:

2.2 Introduction:

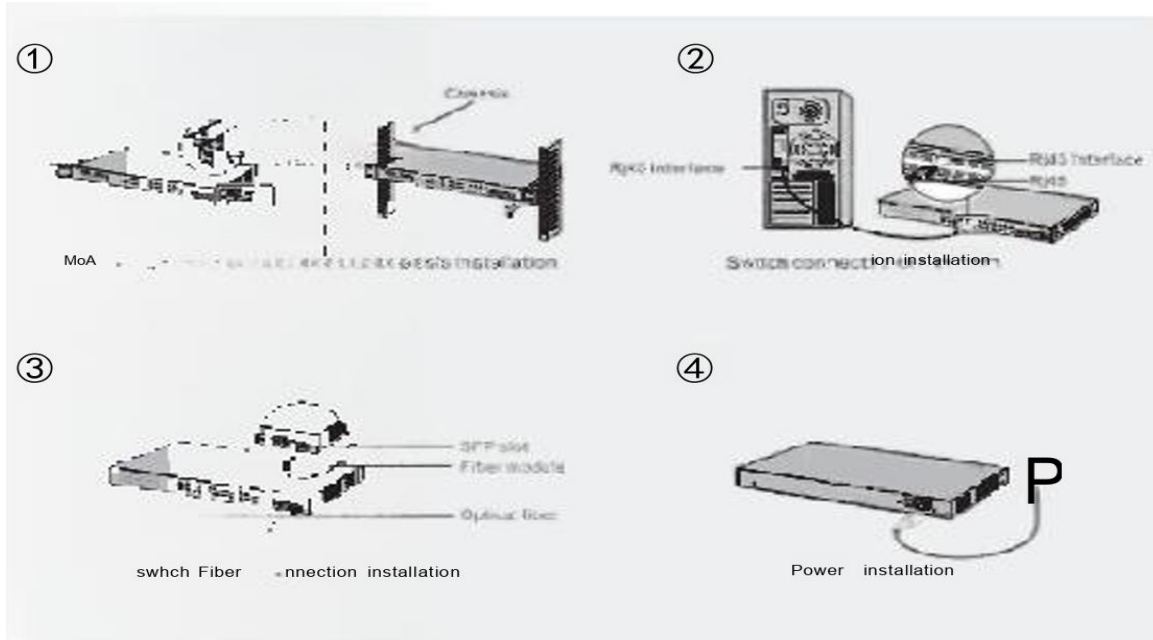
This PoE switch (Managed switch) provides power and data from a single point, using Power over Ethernet (PoE) over a single Cat5 cable. It can be used for any 10/100/1000Mbps link PoE port with gigabit Uplink and supply industry-standard IEEE 802.3af/at power. Advanced auto-sensing algorithm gives power to 802.3af/at end devices, It also offer gigabit SFP Uplink which can be the most economic solution for long distance data transmission. In addition, the PoE switch automatically determines PoE requirements, speed, duplex. Easy to operate and reliable.

2.3 Typical Application:





2.4 Switch Installation



Based in New York City & Toronto, GAO Tek Inc. is ranked as one of the top 10 global B2B technology suppliers. GAO ships overnight within the U.S. & Canada & provides top-notch support thanks to its 4 decades of experiences.