



<b>Product Name</b>	<b>Abnormal Motion Sensor</b>
<b>Product SKU</b>	<b>GAOTek-IOTS-114</b>
<b>Product URL</b>	<b><a href="https://gaotek.com/product/gaotek-abnormal-motion-sensor/">https://gaotek.com/product/gaotek-abnormal-motion-sensor/</a></b>

**Contact us: [sales@gaotek.com](mailto:sales@gaotek.com)**

Based in New York City & Toronto, GAO Tek Inc. is ranked as one of the top 10 global B2B technology suppliers. GAO ships overnight within the U.S. & Canada & provides top-notch support thanks to its 4 decades of experience.



## Content

### Index

1. Overview.....	3
1.1 Introduction.....	3
1.2 Working principle .....	3
2. Technical indicators .....	4
2.1 Main technical parameters .....	4
2.2 Dimensions .....	5
3. Instructions for use.....	6
3.1 Installing the SIM Card.....	6
3.2 Powering on the product and replacing the battery.....	6
3.3 Network Description.....	7
3.4 Communication Protocol .....	7
4. Installation method.....	7
4.1 Installation of double-layer manhole cover.....	7
4.2 Installation of non-metal composite manhole cover .....	9
4.3 Installation of iron manhole cover .....	12
5. Selection Guide.....	14
6. Accessories.....	15
7. Precautions .....	16
7.1 Terminal networking is unsuccessful.....	16
7.2 Causes that may lead to missing report.....	16
8. statement .....	16

Based in New York City & Toronto, GAO Tek Inc. is ranked as one of the top 10 global B2B technology suppliers. GAO ships overnight within the U.S. & Canada & provides top-notch support thanks to its 4 decades of experience.

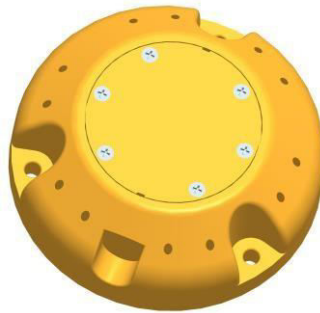


## 1. Overview

### 1.1 Introduction

The manhole cover monitoring sensor is installed on the back of the manhole cover, which is placed horizontally as a normal state. The alarm condition is triggered when the manhole cover is tilted, and the inclination angle is over 10° (configurable). The alarm signal is sent to the monitoring center through wireless transmission. Then, the monitoring center analyzes the data and judges the alarm.

The device, shown in Figure 1, can provide three wireless communication modes: LoRaWAN, NB-IoT and GPRS. It is powered by battery, and features easy mounting, long battery life, high detection accuracy and stable operation.



### 1.2 Working principle

The manhole cover monitoring sensor is installed on the back of the manhole cover. It measures the current inclination angle of the manhole cover through the acceleration sensor. The alarm condition is triggered when the manhole cover is tilted and the inclination angle is over 10° (configurable). The alarm signal is sent to the monitoring center through wireless transmission.

The device supports setting the timing reporting interval, and alarm angle threshold ( default 10° ). In the normal condition, the device sends the report message at the time interval of the periodic report. The status flag in the message can be used to determine whether it's the alarm or normal status. When the device detects that the battery voltage is low, the device reports a low

**Based in New York City & Toronto, GAO Tek Inc. is ranked as one of the top 10 global B2B technology suppliers. GAO ships overnight within the U.S. & Canada & provides top-notch support thanks to its 4 decades of experience.**



voltage warning message. The device sends the status information according to the set timing interval.

The conditions of abnormal movement are:  $ABS(\text{current angle} - \text{initial angle}) > \text{alarm angle threshold}$ . When the condition is met, an alarm message is sent.

## 2. Technical indicators

### 2.1 Main technical parameters

The main technical indicators of the manhole cover monitoring sensor are shown in Table

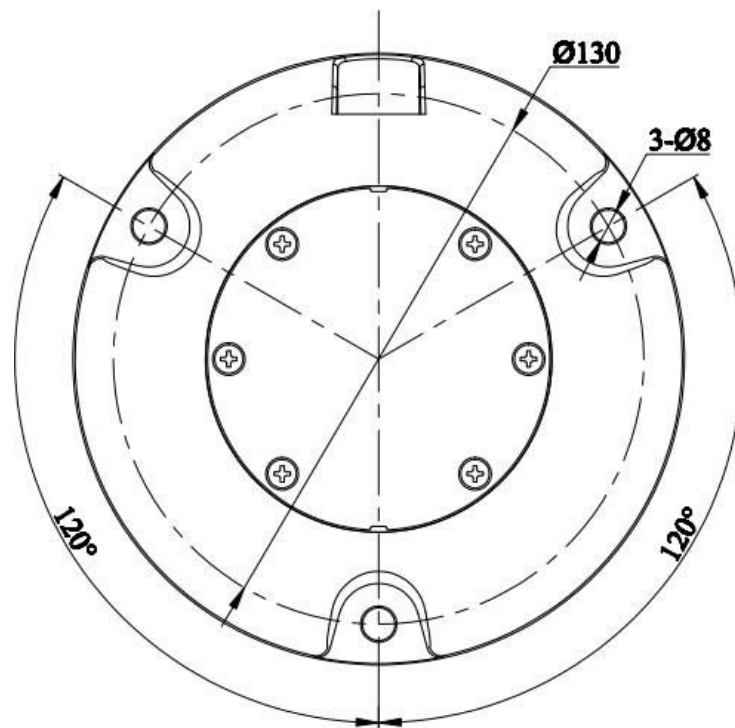
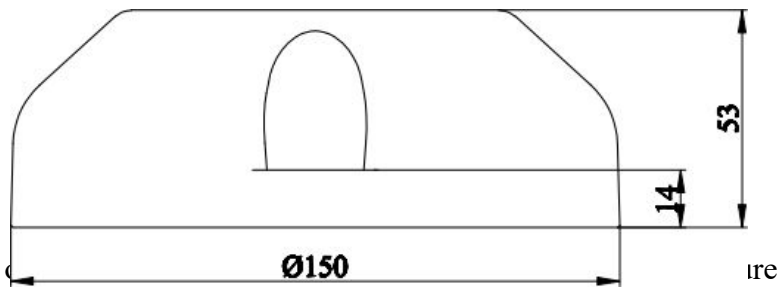
Name	technical parameters	Remarks
Working frequency	433MHz/470MHz/868MHz/915MHz	LoRaWAN
	B1/B3/B5/B8/B20	NB-IoT
	850/900/1800/1900MHz	GPRS
Equipment type	Class A	LoRaWAN
Antenna interface	FPC 天线	
Operating Voltage	Lithium batteryER26500+SPC1550 (3.6V)	ER26500+SPC1550 Not rechargeable
Battery Life	3-5years	Test condition: Work normally and report data up to twice a day
Maximum working current	<200mA	LoRaWAN
	<350mA	NB-IoT
	<2000mA	GPRS
Sleeping current	<25.0uA	
Protection level	IP68	
Shell material	PC+ABS Anti-aging, anti-corrosion, anti-collision materials	
Operating temperature	(-25~+85) °C	Consumer SIM Card
	(-40~+85) °C	Industrial SIM Card/LoRaWAN
Storage temperature	(-40~+85) °C	

Based in New York City & Toronto, GAO Tek Inc. is ranked as one of the top 10 global B2B technology suppliers. GAO ships overnight within the U.S. & Canada & provides top-notch support thanks to its 4 decades of experience.

Measuring range	0° ~ 180°	
Measurement accuracy	±2°	

## 2.2 Dimensions

The shape and size of



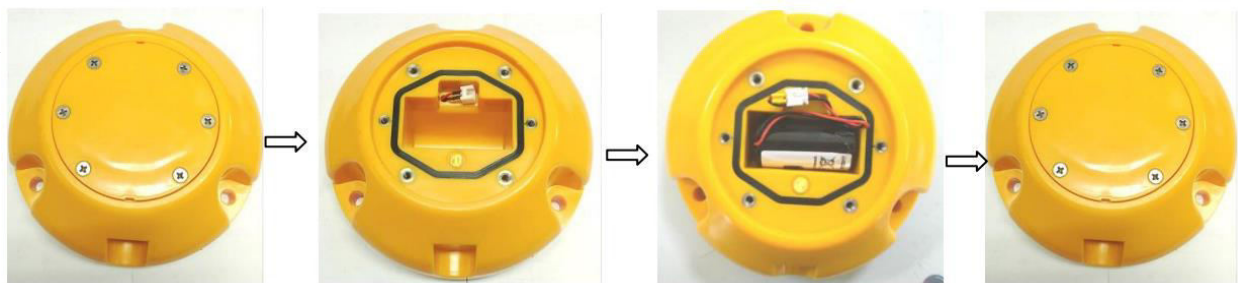
### 3. Instructions for use

#### 3.1 Installing the SIM Card

For NB-IOT and GPRS communication devices, users can open the device’s cover and install SIM cards themselves. After the installation is complete, put the cover on and tighten the screws to ensure waterproof performance.

It is recommended to use the SIM card provided by the manufacturer for the best protection. The user can also provide the SIM card and the manufacturer install it before leaving the factory.

#### 3.2 Powering on the product and replacing the battery



Open the cover to plug in the battery connector, the product is powered on.

Note: After installing the battery, cover the battery compartment cover, tighten the screws, and



make sure the sealing ring is properly installed. If the seal is missing or the screws are not tightened, it will lose the waterproof performance.

### 3.3 Network Description

#### LoRaWAN Networking Instructions

LoRaWAN devices support OTAA and ABP network access. The network access parameters can

be default parameters. The user can also provide the network access parameters before the product leaves the factory. The user can also choose to configure the network access parameters.

If you choose to configure your own network configuration, you can obtain configuration documentation from the manufacturer.

The DEVEUI is printed on the product casing and can be used directly when entering the network.

#### NB-IoT Networking Instructions

The IMEI number is printed on the product casing and can be used directly when accessing certain platforms. The device supports UDP and COAP communication protocols.

### 3.4 Communication Protocol

Product communication protocol related documents are available from the manufacturer.

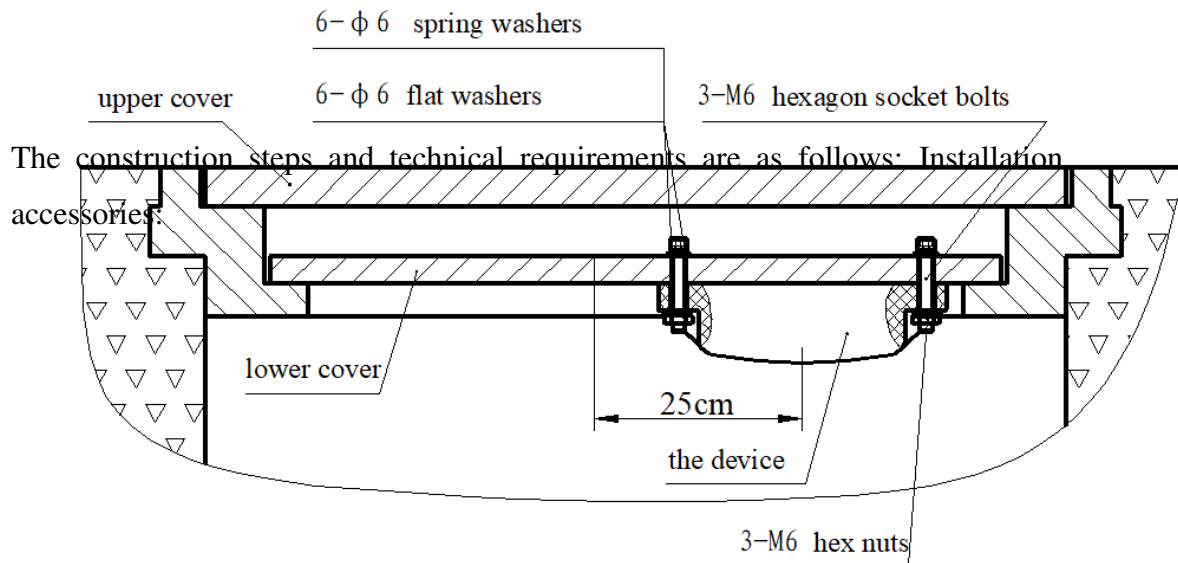
## 4. Installation method

### 4.1 Installation of double-layer manhole cover

The double-layer cover is divided into upper bearing layer, and the lower protective layer. The device can only be installed on protective layer.



Based in New York City & Toronto, GAO Tek Inc. is ranked as one of the top 10 global B2B technology suppliers. GAO ships overnight within the U.S. & Canada & provides top-notch support thanks to its 4 decades of experience.



1. The maintenance worker uses a special tool to open the lock of the upper manhole cover, removes the upper manhole cover.
2. Pull up the lower protective cover, place it on the road.
3. Place the monitoring device flat on the pre-installation position of the lower protective cover, use the pencil to align the 3-φ8mm holes centers to describe the pre-punching position on the lower cover;
4. Remove the monitoring device, install the φ6 drill with the hand-held electric drill, and drill on the lower cover, make sure the drill right at the center of drawing hole;
5. Open the battery cover, protect the cover from being stained with dirt, install the battery, put on the battery cover, and tighten the screws;

Based in New York City & Toronto, GAO Tek Inc. is ranked as one of the top 10 global B2B technology suppliers. GAO ships overnight within the U.S. & Canada & provides top-notch support thanks to its 4 decades of experience.



6. Put the 3-M6\*35mm hexagon socket bolts with spring washers and flat washers through the 3- $\phi$ 8mm holes, tighten the 3-M6 nut with the inner hexagonal wrench to fix the device onto the lower cover;
7. Place the lower cover equipped with the monitoring device back in the original position. The
8. on-site engineer will arm the alarm state, and put the manhole cover back in the natural state, then take it out and place it on the road surface to observe the alarm state. After the operation is completed, place the manhole cover back in the original position, and record the current GPS latitude and longitude;
9. After the installation is completed, the maintenance worker put the upper manhole cover back and lock it with the special tool.

#### 4.2 Installation of non-

For composite or non-metal manhole cover itself, the monitoring device is shown as follows.



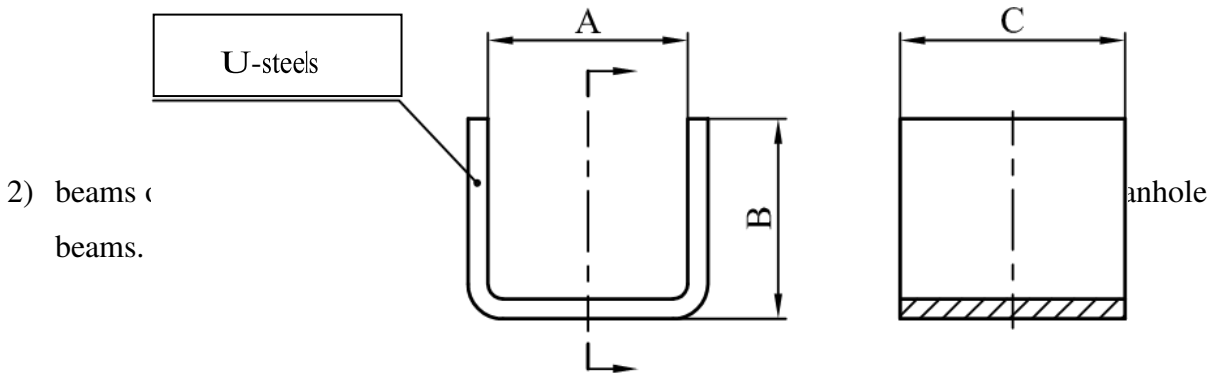
damage the structure of the manhole cover using special kits,

For such manhole covers, the installation method of the monitoring device is as follows:

Installation accessories : CS-iTWM-A02

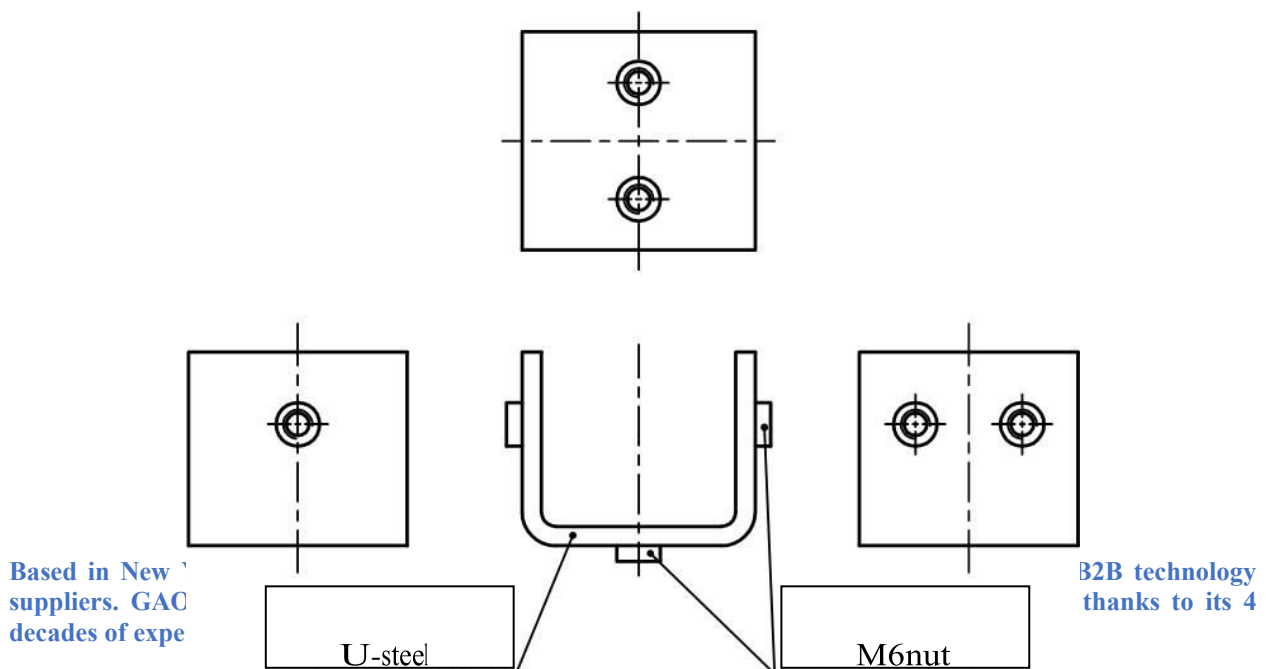
Based in New York City & Toronto, GAO Tek Inc. is ranked as one of the top 10 global B2B technology suppliers. GAO ships overnight within the U.S. & Canada & provides top-notch support thanks to its 4 decades of experience.

1) Select the longitudinal beam or beam with higher dimension , use the proper U-shaped stainless steel channel steel, shown as below, the width A of the channel should be slightly larger than the width of the beam cover beam, and cut the channel into a small section of length C. The dimension C should be less than the gap width between the staggered longitudinal



3) Cut the U-steel into small sections as follows.

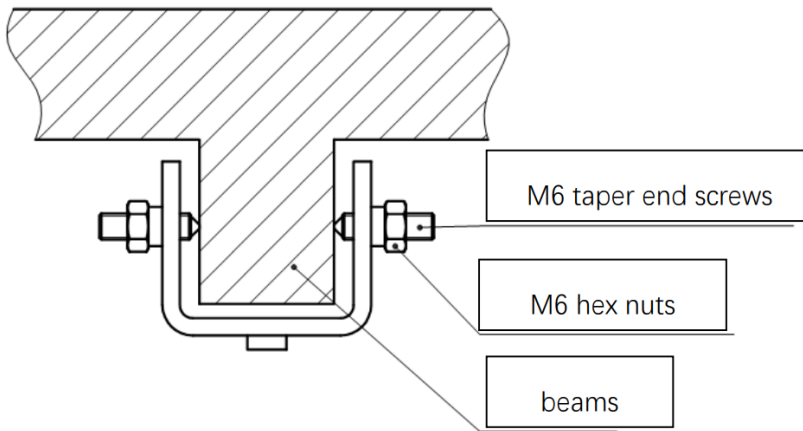
Install the stainless steel rivet nuts on the three sides of the U-steel. The positions of each side are shown in the figure below.



Installation instruction with rivet nut

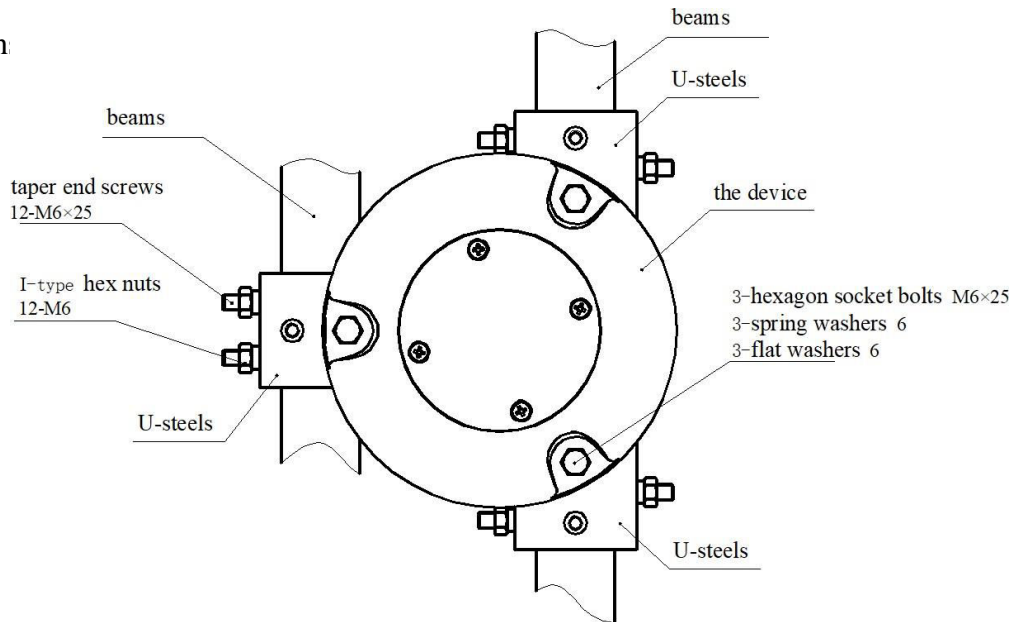
3) Make the end screw

the M6 taper



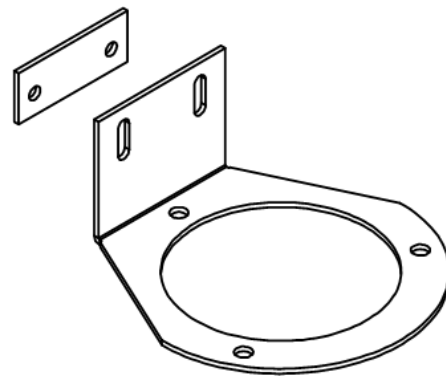
Installation instruction with U-steels

4) In



### 4.3 Installation of iron manhole cover

For iron manhole cover, as shown in the figure, the monitoring device is mounted on the bracket, which is fixed to the central rib of the manhole cover.

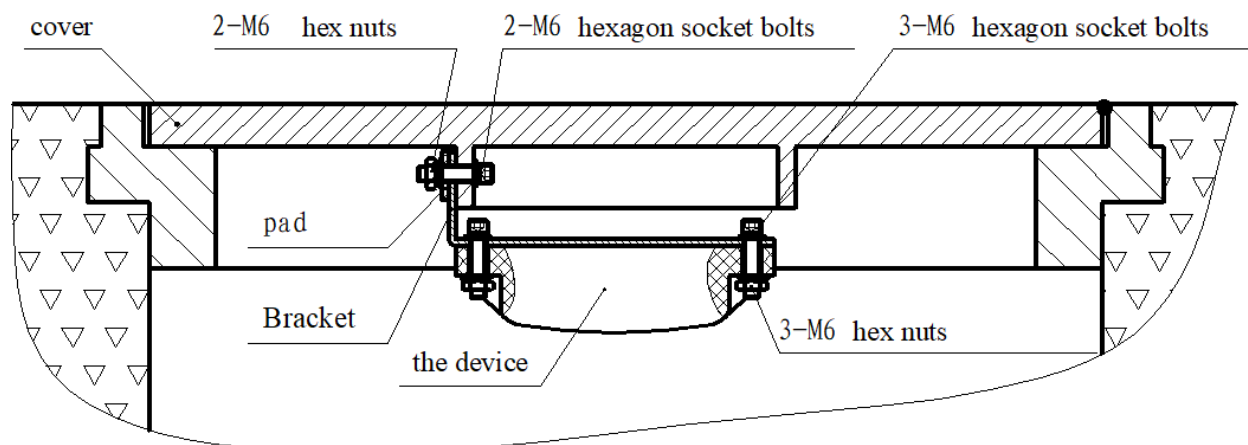


Iron manhole cover

Bracket

The construction steps and technical requirements are as follows

Installation accessories:





1. The maintenance worker opens the manhole cover. After the manhole cover is pulled open, make sure it being placed stably;
2. Choose one side of the hexagonal rib that is convenient for operation, and place the gasket in the pre-installation position, and use a pencil to align the 2- $\phi$ 6.5mm hole centers on the gasket;
3. Use a hand-held electric drill with a  $\phi$ 6 cobalt drill bit, and drill 2 holes at the fixed position, make sure the drill right at the center of drawing holes;
4. Place the 2-M6\*35mm hex socket bolts with spring washers and flat washers in sequence, as shown in Figure 3, through the 2 holes on the manhole cover, mounting bracket and gasket. Drip the thread glue on the bolts and nuts, pre-tighten the 2-M6 nuts by hand, adjust the top surface of bracket to the same level of the bottom of the manhole cover, and then tighten the bolts and nuts with the inner hexagonal wrench.
5. Open the battery cover, protect the cover from being stained with dirt, install the battery, put on the battery cover, and tighten the screws;
6. Insert the 3-M6\*25 hex socket bolts one by one, with the spring washer and flat washer, through the 3- $\phi$ 8 holes on the mounting bracket. Drip the thread glue on the bolts and nuts, screw and pre-tighten them by hands, then use the inner hexagon wrench to tighten the bolts and nuts;
7. The on-site engineer tests the alarm state of the monitoring device, puts the manhole cover to the horizontal position, and tests the automatic disarming state. After testing 2 times, place the manhole cover back in the original position, and record the current GPS latitude and longitude;
8. After the installation is completed, reset the manhole cover, tidy tools & the site, make the mark, and remove the enclosure at last.



### 5. Selection Guide

Model						
CS-iTWM-05						
	temperature output					
	T	With temperature output				
	N	No temperature output				
		Communication				
		LW	LoRaWAN			
		NB	NB-IoT			
		G	GPRS			
			Frequency			
			B1	NB-IOT		
			B3	NB-IOT		
			B5	NB-IOT		
			B8	NB-IOT		
			B20	NB-IOT		
			BG	B1/B3/ B5/ B8/B20 (NB-IOT)		
			EU433	433MHz (LORAWAN)		
CN470	470MHz (LORAWAN)					
EU868	868MHz (LORAWAN)					
US915	915MHz (LORAWAN)					
AS923	923MHZ (LORAWAN)					
*	Please indicate the other frequency bands, including GPRS scenes.					
CS-iTWM-05	T	NB	B8			

Based in New York City & Toronto, GAO Tek Inc. is ranked as one of the top 10 global B2B technology suppliers. GAO ships overnight within the U.S. & Canada & provides top-notch support thanks to its 4 decades of experience.



Example :

CS-iTWM-05\_N\_NB\_B8 : No temperature output, NB-IoT , B8。

CS-iTWM-05\_T\_LW\_868 : With temperature output, LORAWAN 868MHZ。

CS-iTWM-05\_N\_G\_900/1800 : No temperature output, GPRS 900/1800MHZ。

Note:

Our company can provide Industrial SIM Card and Consumer SIM Card. If the product is required to be equipped with SIM Card, please indicate the type of SIM Card when purchasing. Please refer to Table 1 in Section 2.1 for the operating temperature range of Industrial SIM Card and Consumer SIM Card.

### 6. Accessories

Customers can choose the attachment according to the selection table shown in Table.

Note: If you have questions about attachment selection, please contact your supplier.

Annex	Description	Remarks
PL2303	USB to UART-TTL adapter. It is used for customers to make their configuration. Otherwise it' s not needed.	
ER26500+SPC1550	The product is equipped with a battery when it leaves the factory. If you need extra battery, please specify when purchasing.	
CS-iTWM-A01	Mounting fittings for the manhole terminal on the back of the manhole cover	
CS-iTWM-A02	Mounting fittings for manhole cover with "well" shaped beams on the back of the non-metallic composite manhole cover	

Based in New York City & Toronto, GAO Tek Inc. is ranked as one of the top 10 global B2B technology suppliers. GAO ships overnight within the U.S. & Canada & provides top-notch support thanks to its 4 decades of experience.



CS-iTWM-A03	Mounting fittings for the installation on the lower layer or direct perforated manhole terminal	Factory default install accessory
-------------	-------------------------------------------------------------------------------------------------	-----------------------------------

## 7. Precautions

### 7.1 Terminal networking is unsuccessful

- a) Check if the node module is registered in the server;
- b) Check if the battery has power or the battery is too low;
- c) Check if the SIM card is overdue and whether the data service is open;
- d) Please contact the supplier for other questions.

### 7.2 Causes that may lead to missing report

- e) The SIM card is damaged or the SIM card is not properly installed;
- f) The battery is exhausted;
- g) Signal is not good or the signal is blocked;
- h) Other special circumstances.

## 8. statement

The company reserves the right to modify the specifications and contents of this manual, and is subject to change without prior notice. Due to product updates, some details of this document may not match the product, please refer to the actual product, the right to interpret this document belongs to the company.





Based in New York City & Toronto, GAO Tek Inc. is ranked as one of the top 10 global B2B technology suppliers. GAO ships overnight within the U.S. & Canada & provides top-notch support thanks to its 4 decades of experience.