



Product Name	GAOTek IOT Platform GPS Tracker
Product SKU	GAOTek-IPT-108
Product URL	https://gaotek.com/product/gaotek-iot-platform-gps-tracker/

Contact us: sales@gaotek.com



Contents

1 Product Introduction.....	3
2 Start Guide.....	3
2.1 Accessories	3
2.2 Main Functions.....	3
2.3 Specifications	4
3 My Device.....	4
3.1 Cable connection	4
3.2 LED indicators	5
3.3 Device Installation.....	5
4 Operation of device	5
5 Main Functions.....	6
5.1 SOS.....	6
5.2 Power cut-off alarm	6
5.3 Low battery alarm	6
5.4 Vibration alarm (default OFF).....	6
5.5 Oil/Electricity cut-off	6
5.6 Restore oil/electricity	7
5.7 Restart device	7
6 Platform Operation.....	8
6.1 APN & Server setting	8
6.2 Download APP.....	8
7 Common Command List	8
8 Trouble shooting	8
9 Warranty instructions and service	9

GAOTek IOT Platform GPS Tracker

1 Product Introduction

This user manual has been specially designed to guide you through the functions and features of your GPS vehicle tracker.

2 Start Guide

2.1 Accessories

- Main device
- Power cord
- Relay line, 4-pin relay
- SOS cable
- Fuel cable
- User manual



2.2 Main Functions

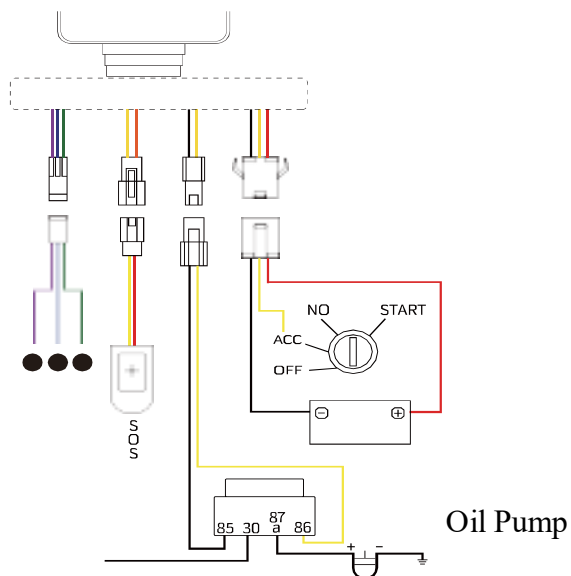
- Real-time GPS+AGPS tracking
- Track by time interval/distance/direction change
- Track through SMS, APP, Web
- Remotely fuel/power cut-off control
- SOS alarm
- Geo-fence alarm
- Vibration alarm
- Movement alarm
- External power supply cut-off alarm
- Over-the Air (OTA)
- Low battery alert

2.3 Specifications

GSM RF chip	EC200U-EU (European version) EC200U-AU (Latin American version)
GSM channel	LTE-FDD B1/B3/B5/B7/B8/B20/B28 LTE-TDD
European version	B38/B40/B41 GSM B2/B3/B5/B8
Latin American version	LTE-FDD B1/ B2/ B3/ B4/ B5/ B7/ B8/ B28/ B66 GSM B2/B3/B5/B8
Positioning time Cold start	≤ 30.0 s
Positioning time Hot Start	≤ 2.0 s
Positioning mode	GPS/BeiDou
Positioning accuracy	< 2.0 m CEP
Weight	Bare metal net weight 60 grams
Dimension	83(L) x 46(W) x 16(H) mm

3 My Device

3.1 Cable connection



3.2 LED indicators



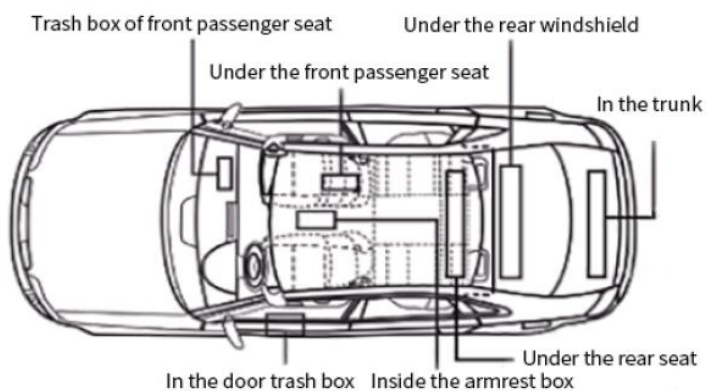
Light type

Red light (power indicator)

Light status

Off	No power /device failure
Normal flashing (1 time /S)	The server is connected
Slow flashing (1 time /2S)	Networking
Slow flashing	once /200ms datasending

3.3 Device Installation



4 Operation of device

Power on/Power off
Power on: Once you insert a valid SIM card and connect all the wires, turn on the device. Power LED will flash first. During signal searching process stable
Power off: Just turn off the power switch.

Note: When device is connected with external power, please turn on the battery switch. The battery will then connect with the device circuits and its built-in battery will be charged. If battery is OFF, battery can't be charged. The device will be power off if no external power supply.

5 Main Functions

5.1 SOS

In emergent case, press SOS for 3 seconds to activate SOS alarm.

Then the device will send SOS SMS to preset SOS numbers and then dial the numbers in a loop for 3 times until the call is picked up.

Alarm message will also send to platform. (See command list 7-8)

5.2 Power cut-off alarm

When the electricity supply of device is cut off, it will activate cut-off alarm.

5.3 Low battery alarm

When battery is low, the device will activate low battery alarm.

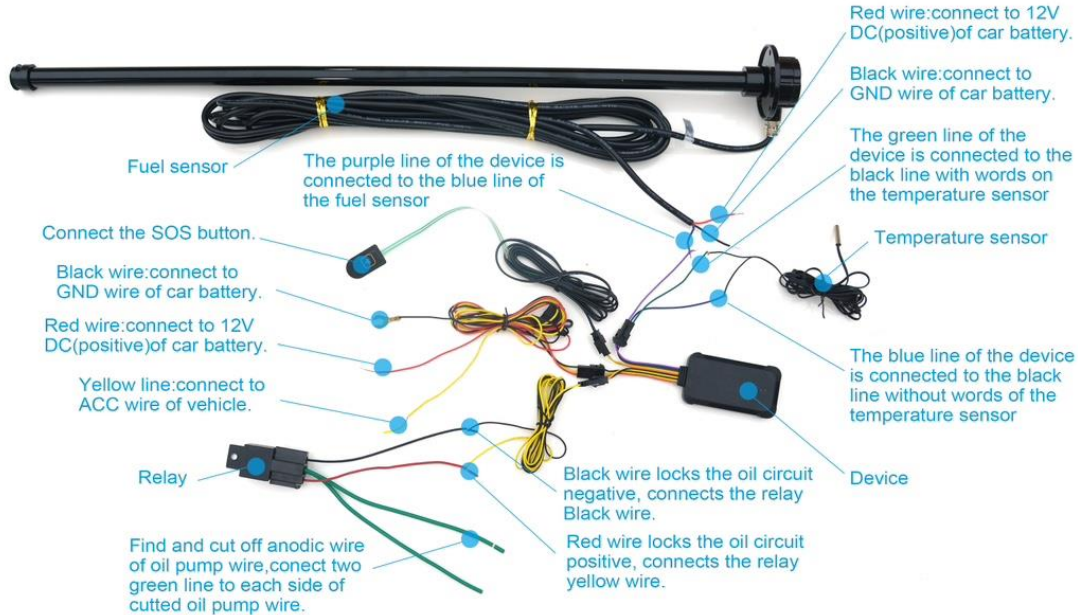
5.4 Vibration alarm (default OFF)

When vehicle vibrates several times, the vibration alarm will be triggered. If no ignition after 3 minutes (ACC OFF), the device will send vibration alarm message immediately.

5.5 Oil/Electricity cut-off

When vehicle is stolen, oil/electricity cut-off command can be sent by platform, APP or SMS.





Notice

1. Make sure ACC is correctly connected.
2. When ACC is OFF, command will be executed immediately.
3. When ACC is ON, but GPS is not fixed, command will be postponed.
4. When ACC is ON, GPS is fixed, command will be executed when vehicle speed is less than 20km/h. If you want to cut off/restore oil by SMS command you have to set a center number firstly. Only the center number can send the cut off/restore oil command to the device.

Notice

1. Only the SOS number can be used to set center number.
2. Only the SOS number can be used to delete center number.
3. There is only one center number can be set.

5.6 Restore oil/electricity

When alarm is all-clear, you can send restore oil/electricity command by platform, APP or SMS and restore vehicle power. (See command list 7-15)

5.7 Restart device

If GPRS is abnormal (device is offline), you can send SMS command RESET# to restart the device.

Device will reboot after 20 seconds after receiving the command.

6 Platform Operation

6.1 APN & Server setting

To ensure normal network operation, please confirm your APN and server setting before login. In most countries, APN could be automatically adapted to local mobile operators. If not, please send SMS to set the APN. If username and password is required for APN, please add it into the command. Confirm the server address and setting with distributors. If server is incorrect, please send SMS to change.

6.2 Download APP

Please download and install the APP in designated website, APP store or Google Play store, www.whatsgps.com.

7 Common Command List

Edit SMS command in the right column to the device SIM number to achieve respective function as below:

1	Set IP	SERVER, 1, IP/domain, port#
2	Set APN	APN, cmnet # APN, g.claro.com. br claro. claro#
3	Upload interval time setting	TIMER, 10 #
4	SOS phone number setting	SOS, A, number1, number2, number3#
5	Delete SOS phone number	SOS, D, number1, number2, number3#
6	Center phone number setting	CENTER, A, phone number#
7	Set the petrol/ electricity	RELAY, T#
8	Reboot	RESET#

8 Trouble shooting

If you are having trouble with your device, try these troubleshooting procedures before contacting a



service professional.

Problem	Causes	Solutions
Poor signal	The signal waves unable to transmit when use the GPS tracker in the places that have poor signal reception, such as: tall building around or basement.	Using the GPSTracker in the places that have good signal condition.

Unable to boot	Low battery	Charge the device battery
----------------	-------------	---------------------------

Problem	Causes	Solutions
Unable to connect to the network	Poor signal	Using the GPSTracker in the places that have good signal condition.
Unable to locate	Signal shielded or Poor signal	Change the installation place
No power off alarm	Built-in battery is off	Turn it on
Fail to start the car	Power cutoff /ACC abnormal	Restore power/Check ACC
Car stops driving	Abnormal power supply	Connect the device negative electrode to constant power
Offline/ Indicators of	Abnormal power supply/Indicators sleep	Check power supply/Press side key to activate indicators
No update of vehicle's location	No GPS positioning	Test the device again/Change installation place

9 Warranty instructions and service

1. The warranty is valid only when the warranty card is properly completed, and upon presentation of the proof of purchase consisting of original invoice indicating the date of purchase, model and

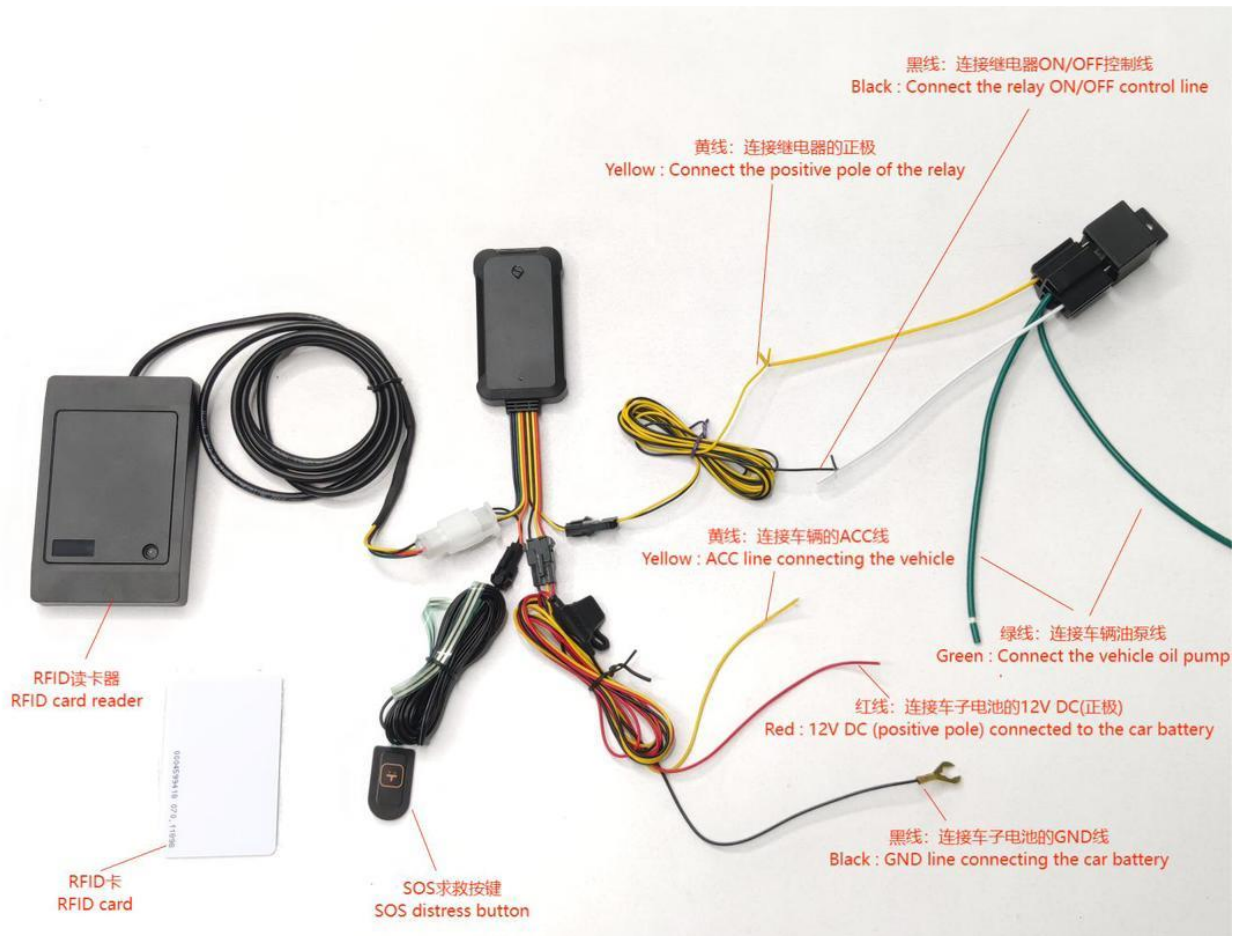
serial No. of the product. We reserve the right to refuse warranty if this information has been removed or changed after the original purchase of the product from the dealer.

2. Our obligations are limited to repair of the defect or replacement the defective part or at its discretion replacement of the product itself.

3. Warranty repairs must be carried out by our Authorized Service Centre. Warranty cover will be void, even if a repair has been attempted by any unauthorized service centre.

4. Repair or replacement under the terms of this warranty does not provide right to extension or renewal of the warranty period.

5. The warranty is not applicable to cases other than defects in material, design and workmanship.





SEEWORLD

S5L

4G Multifunctional GPS Tracker

- Remote Cut-Off (Fuel/Power)
- ACC Detection
- Vibration Alarm
- SOS Alarm
- Remote OTA
- Voice Monitoring (Optional)
- Fuel Sensor (Optional)
- Driving Behavior Analysis
- Report Analysis