



| | |
|---------------------|---|
| Product Name | GAOTek 10G XFP DWDM Single Mode CH17-CH61 1563.86 nm to 1528.77 nm Transceiver – 49.71 Mi Range |
| Product SKU | GAOTek-SFPCWDM-106 |
| Product URL | https://gaotek.com/product/gaotek-10g-xfp-dwdm-single-mode-ch17-ch61-1563-86-nm-to-1528-77-nm-transceiver-49-71-mi-range/ |

Contact us: sales@gaotek.com

Based in New York City & Toronto, GAO Tek Inc. is ranked as one of the top 10 global B2B technology suppliers. GAO ships overnight within the U.S. & Canada & provides top-notch support thanks to its 4 decades of experience.



Table of Contents

| | |
|--|----------|
| Recommended Host Board Power Supply Circuit | 5 |
| Recommended High-speed Interface Circuit | 6 |
| Mechanical Specifications | 7 |



Product Description



| Part Number | Product Description |
|--------------------|--|
| GAOTEK SFPCWDM-106 | 9.953~11.1Gbps, 1528.77~1563.05nm DWDM, Single Mode, 80km, 0 ~ +70°C |

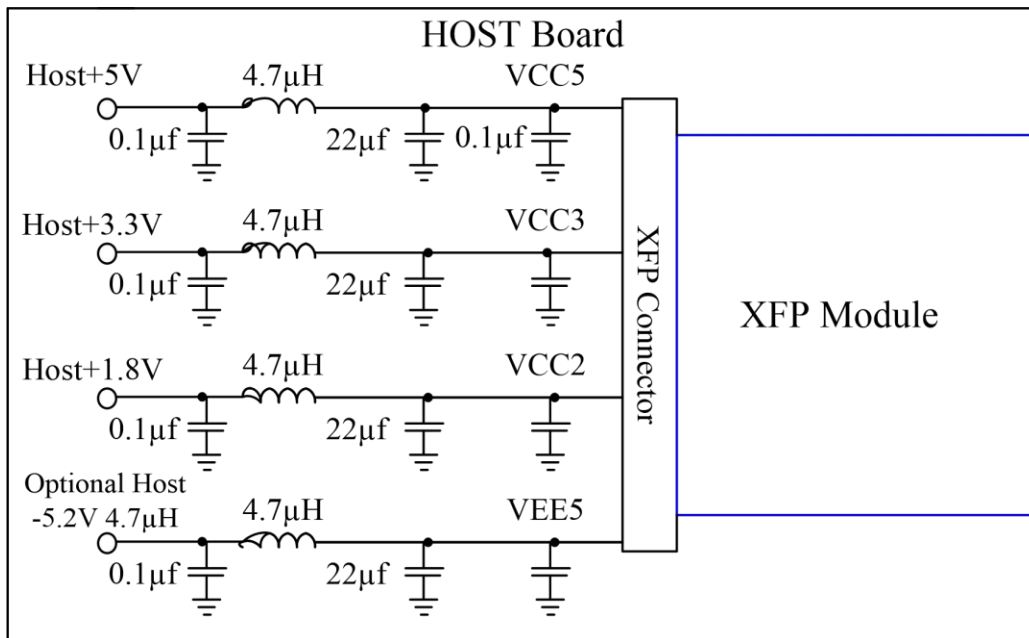
Based in New York City & Toronto, GAO Tek Inc. is ranked as one of the top 10 global B2B technology suppliers. GAO ships overnight within the U.S. & Canada & provides top-notch support thanks to its 4 decades of experience.



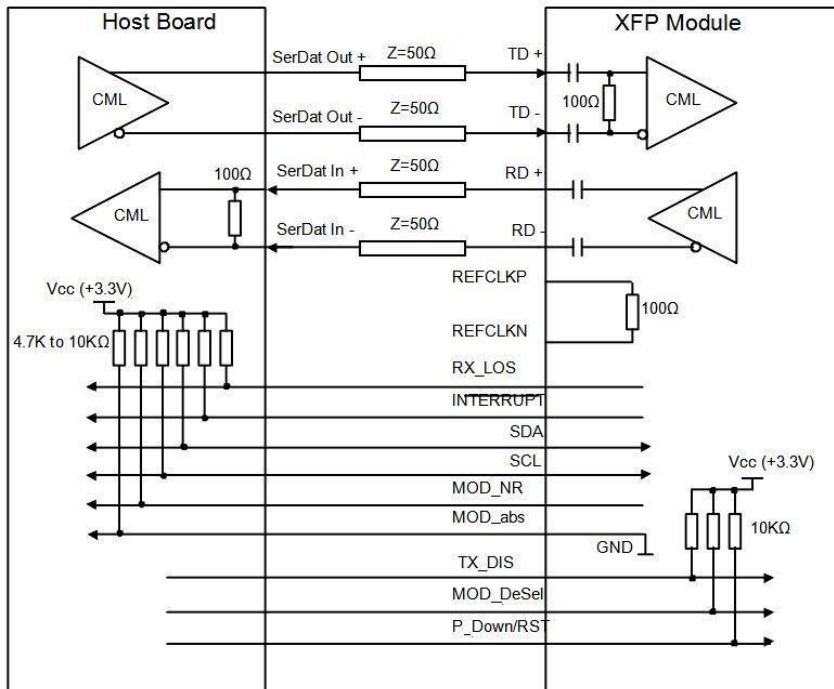
| λC Wavelength Guide | | | | | |
|--------------------------|----------------|------------|--------------------------|----------------|------------|
| ITU Channel Product Code | Frequency(THz) | Wavelength | ITU Channel Product Code | Frequency(THz) | Wavelength |
| 17 | 191.7 | 1563.86 | 40 | 194.0 | 1545.32 |
| 18 | 191.8 | 1563.04 | 41 | 194.1 | 1544.52 |
| 19 | 191.9 | 1562.23 | 42 | 194.2 | 1543.73 |
| 20 | 192.0 | 1561.41 | 43 | 194.3 | 1542.93 |
| 21 | 192.1 | 1560.60 | 44 | 194.4 | 1542.14 |
| 22 | 192.2 | 1559.79 | 45 | 194.5 | 1541.34 |
| 23 | 192.3 | 1558.98 | 46 | 194.6 | 1540.55 |
| 24 | 192.4 | 1558.17 | 47 | 194.7 | 1539.76 |
| 25 | 192.5 | 1557.36 | 48 | 194.8 | 1538.97 |
| 26 | 192.6 | 1556.55 | 49 | 194.9 | 1538.19 |
| 27 | 192.7 | 1555.74 | 50 | 195.0 | 1537.40 |
| 28 | 192.8 | 1554.94 | 51 | 195.1 | 1536.61 |
| 29 | 192.9 | 1554.13 | 52 | 195.2 | 1535.82 |
| 30 | 193.0 | 1553.32 | 53 | 195.3 | 1535.04 |
| 31 | 193.1 | 1552.52 | 54 | 195.4 | 1534.25 |
| 32 | 193.2 | 1551.72 | 55 | 195.5 | 1533.46 |
| 33 | 193.3 | 1550.92 | 56 | 195.6 | 1532.68 |
| 34 | 193.4 | 1550.11 | 57 | 195.7 | 1531.89 |
| 35 | 193.5 | 1549.32 | 58 | 195.8 | 1531.12 |
| 36 | 193.6 | 1548.51 | 59 | 195.9 | 1530.33 |
| 37 | 193.7 | 1547.71 | 60 | 196.0 | 1529.55 |
| 38 | 193.8 | 1546.92 | 61 | 196.1 | 1528.77 |
| 39 | 193.9 | 1546.12 | - | - | - |

Based in New York City & Toronto, GAO Tek Inc. is ranked as one of the top 10 global B2B technology suppliers. GAO ships overnight within the U.S. & Canada & provides top-notch support thanks to its 4 decades of experience.

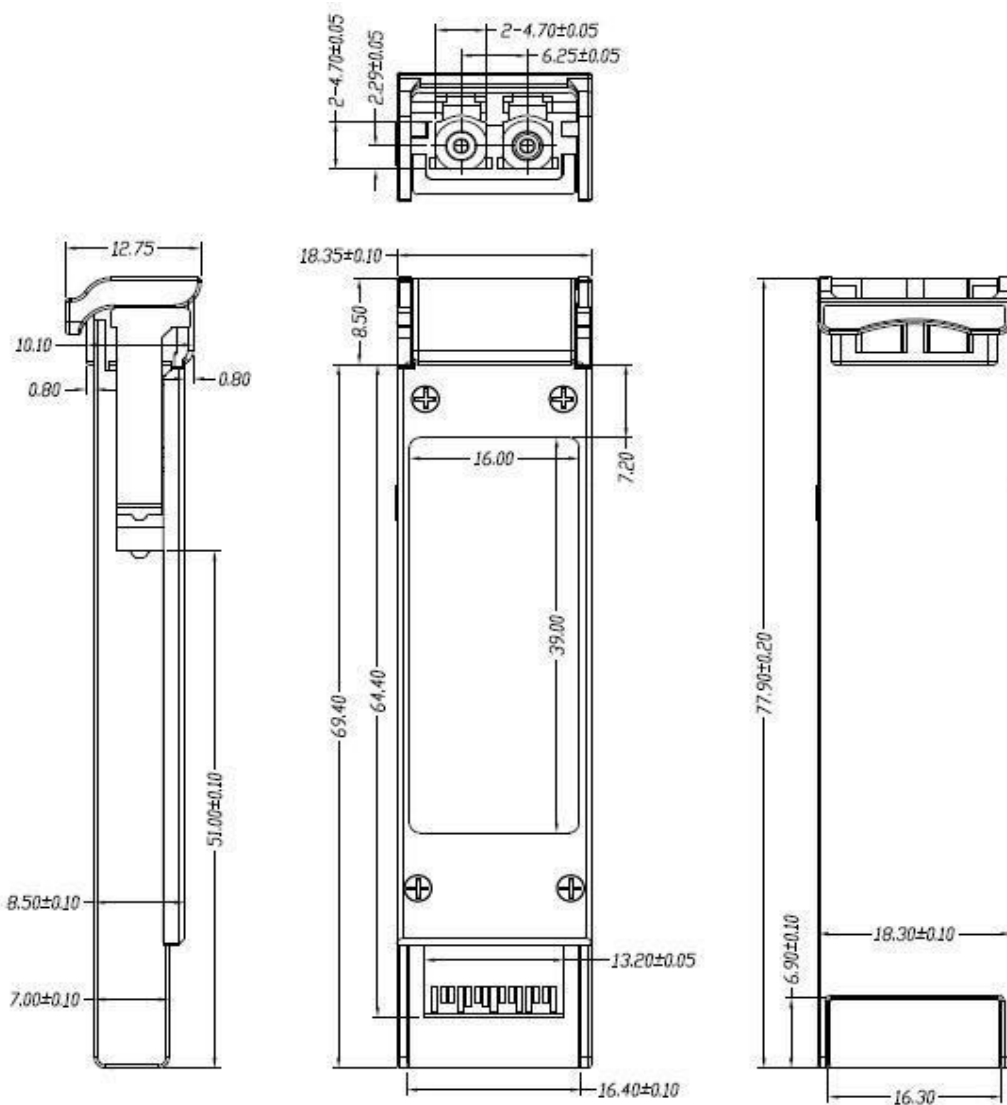
Recommended Host Board Power Supply Circuit



Recommended High-speed Interface Circuit



Mechanical Specifications



Based in New York City & Toronto, GAO Tek Inc. is ranked as one of the top 10 global B2B technology suppliers. GAO ships overnight within the U.S. & Canada & provides top-notch support thanks to its 4 decades of experience.